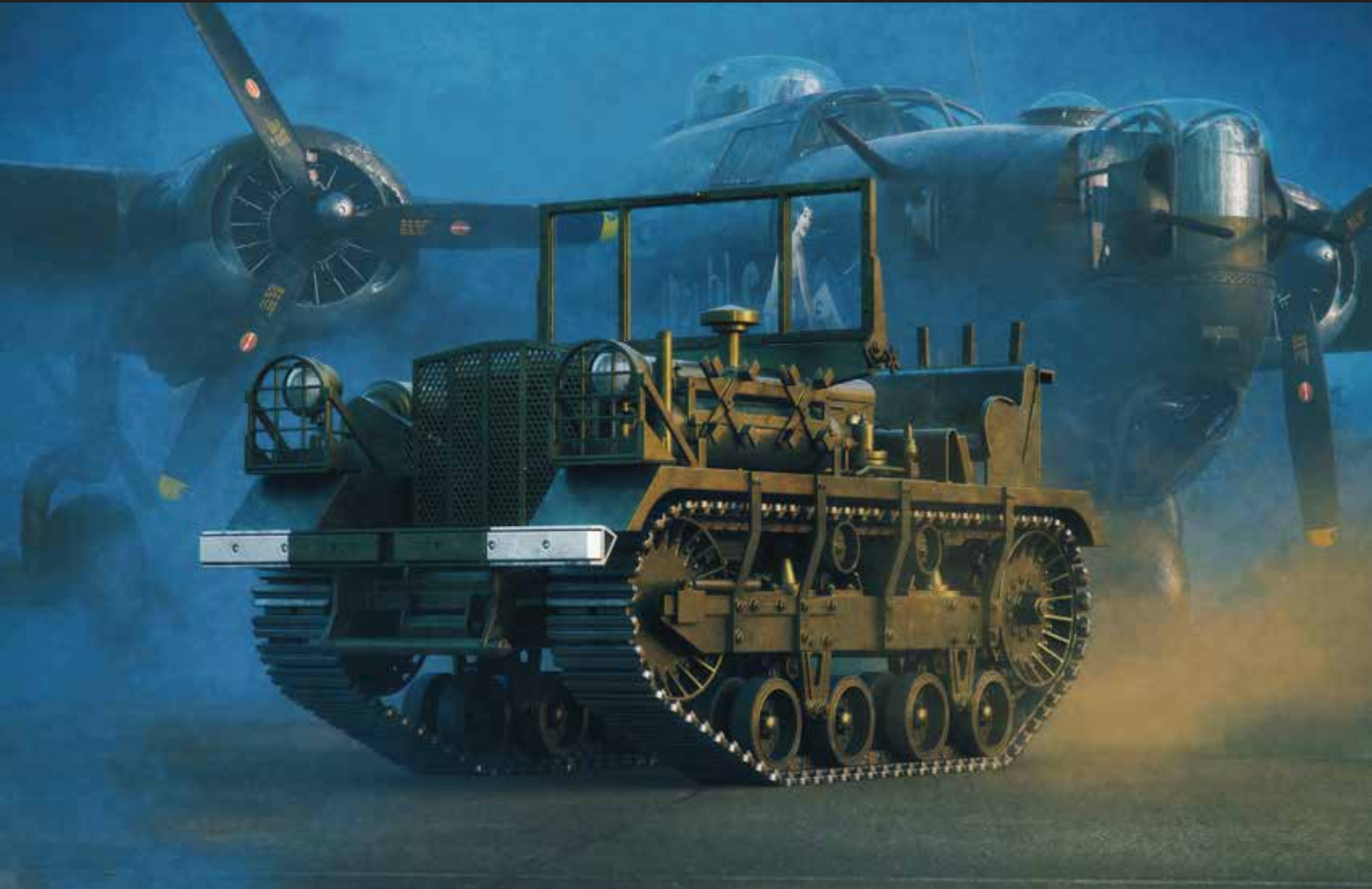


SQUADRON



1/48 M2 Cletrac

3D Printed Model Kit

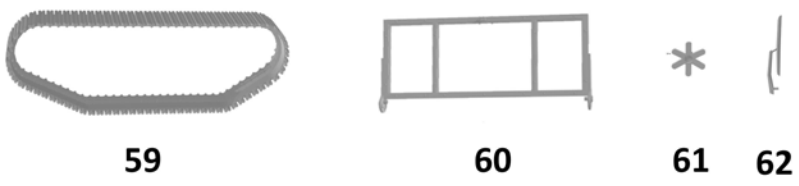
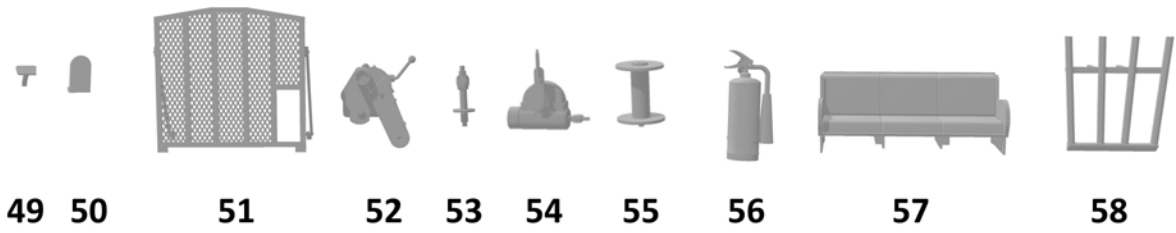
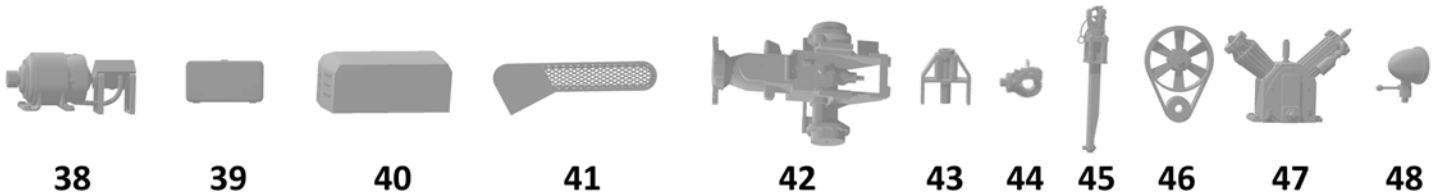
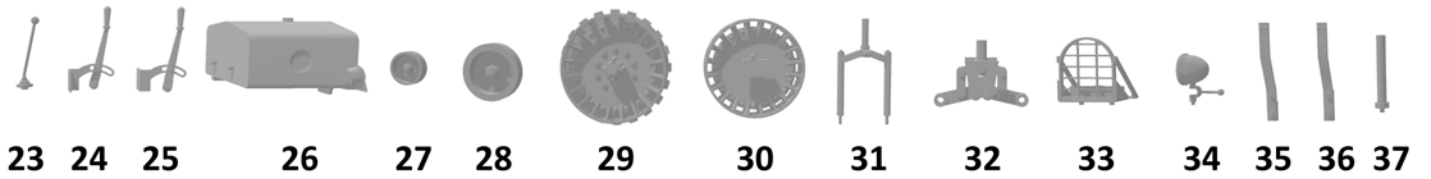
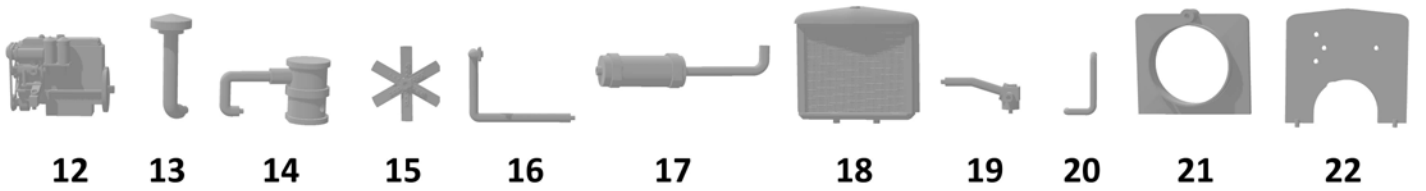
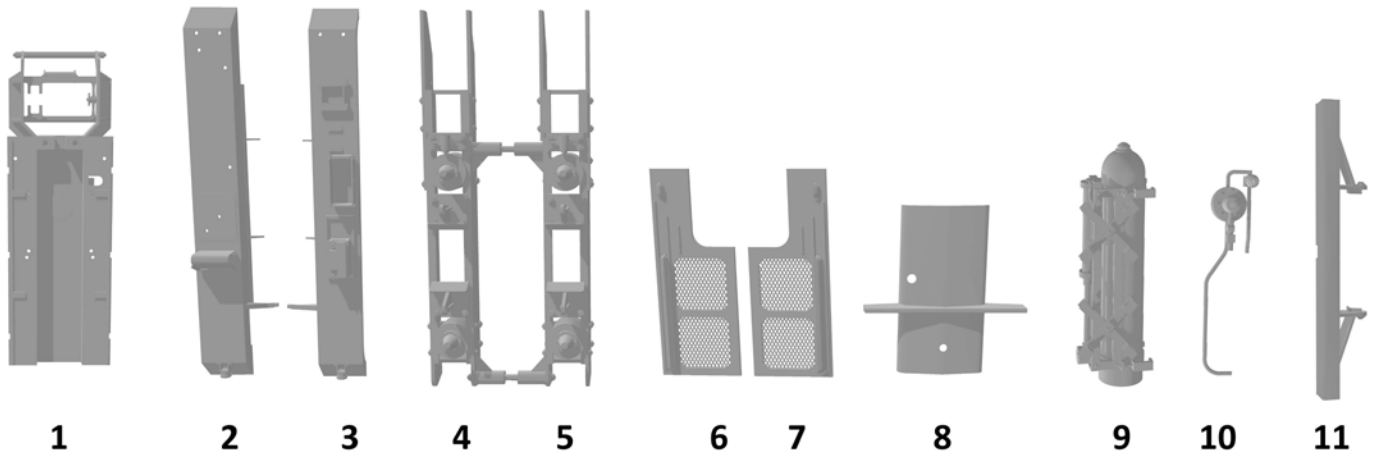


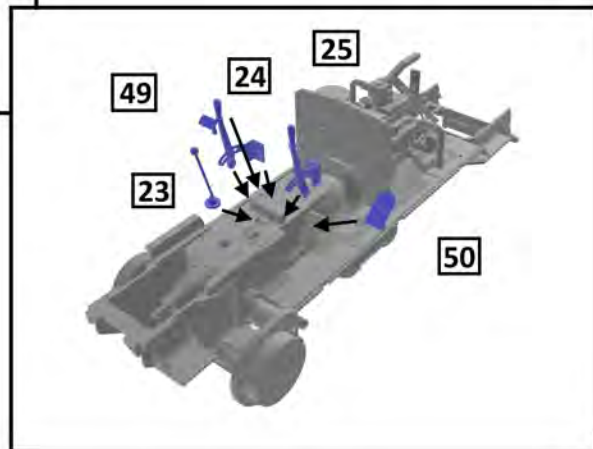
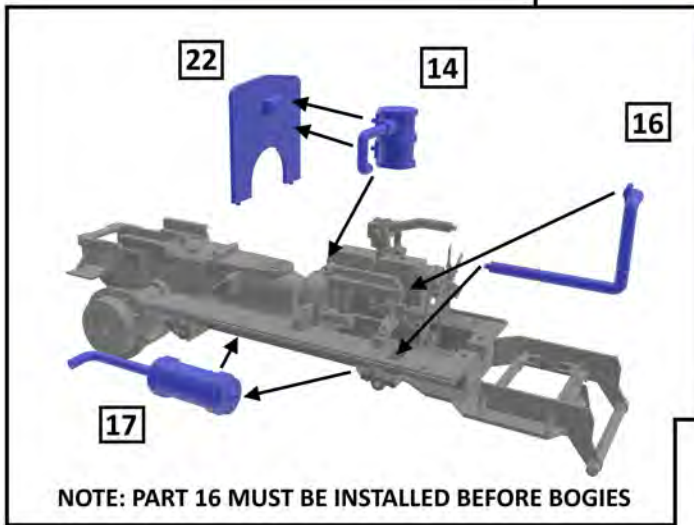
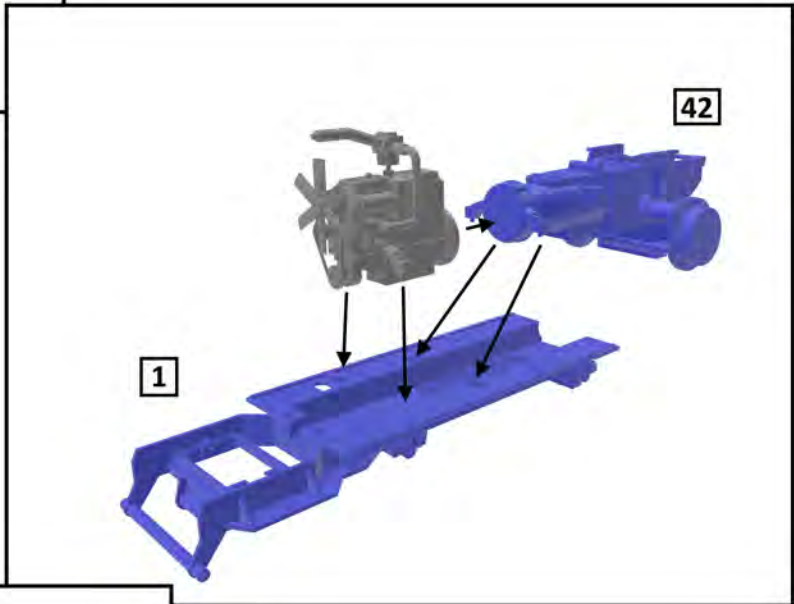
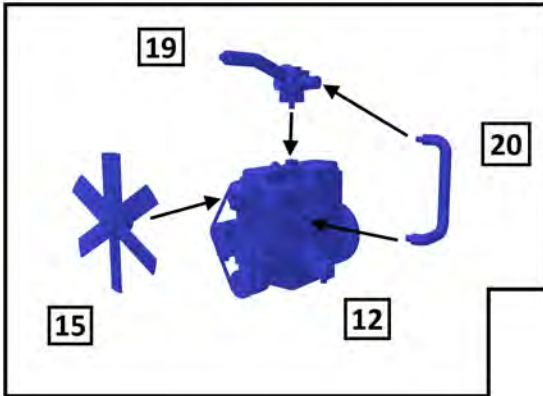
Many of the M2 tractors had no markings, however standard stencil numbers/letters and stars can be used if desired. Clear sheet plastic can be used to add windshield if desired. Decals and clear plastic sheet not included with kit.

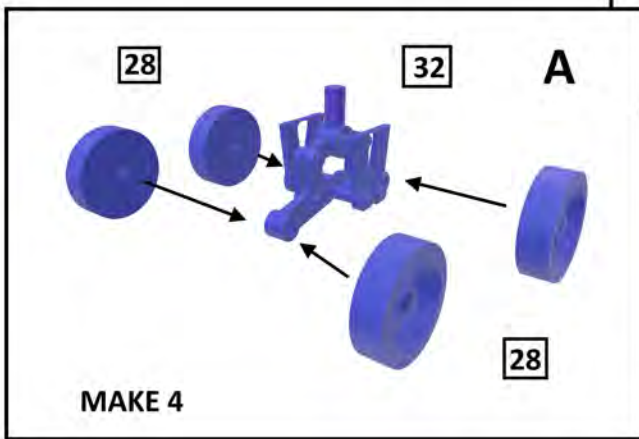
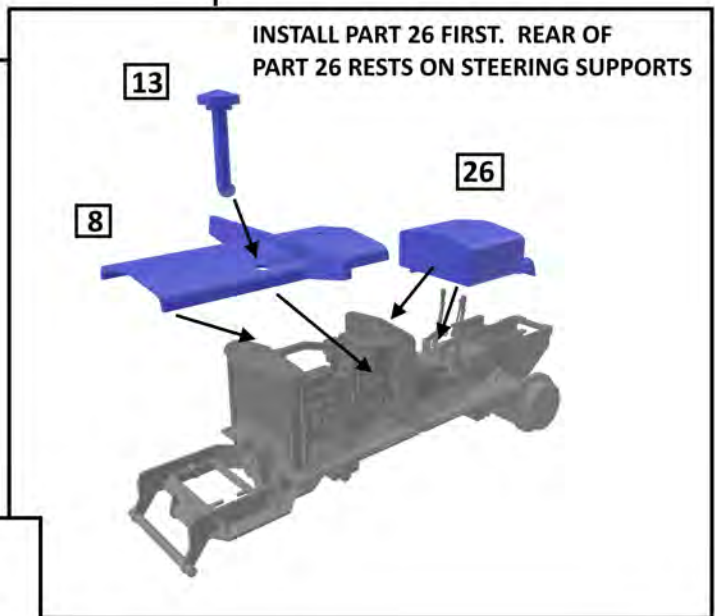
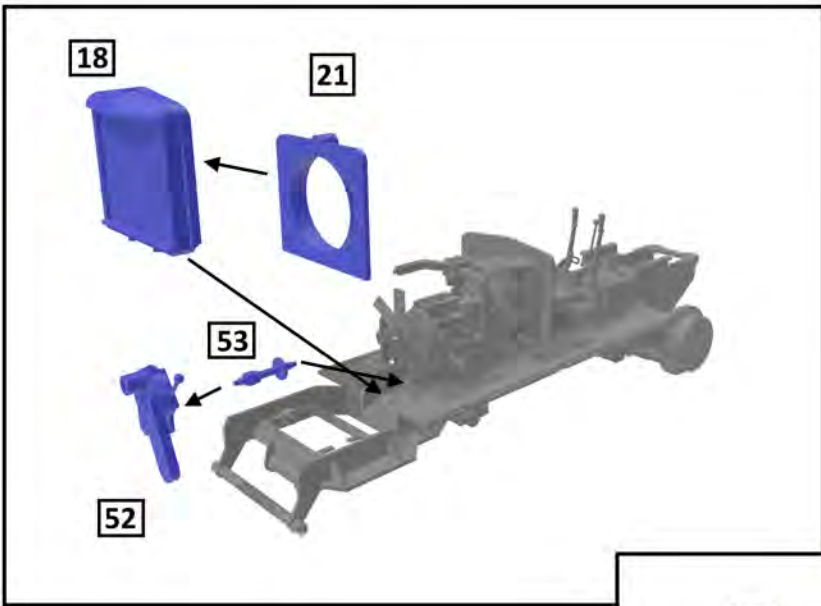


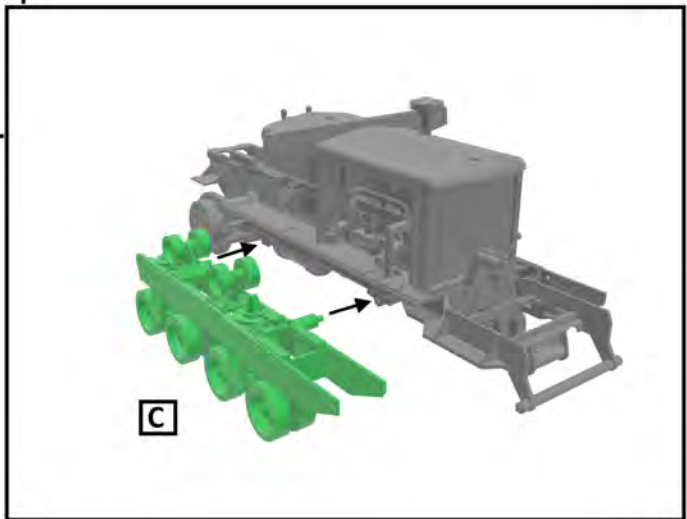
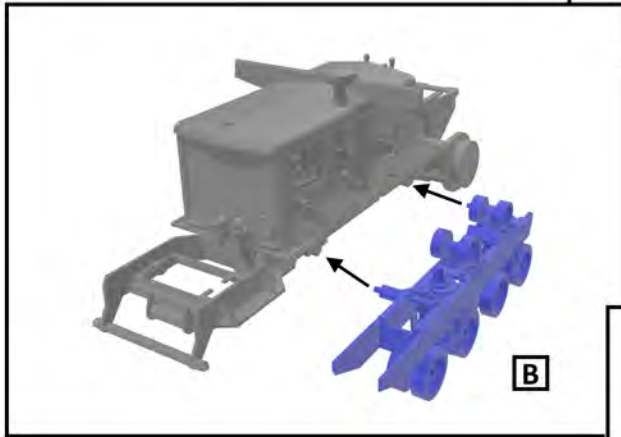
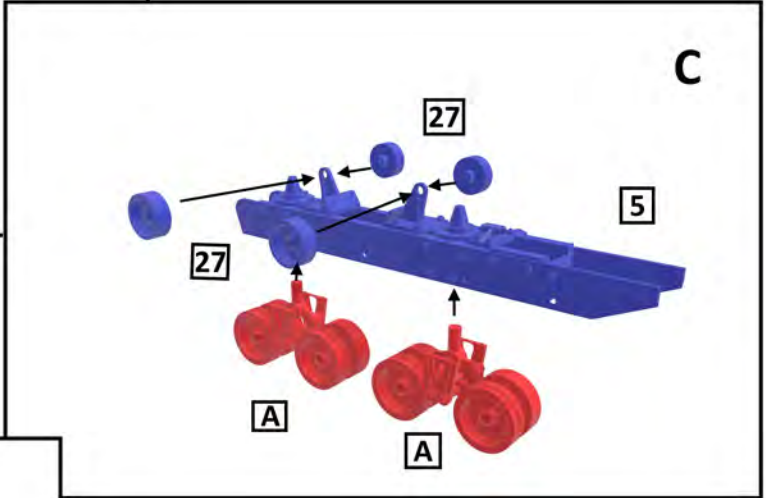
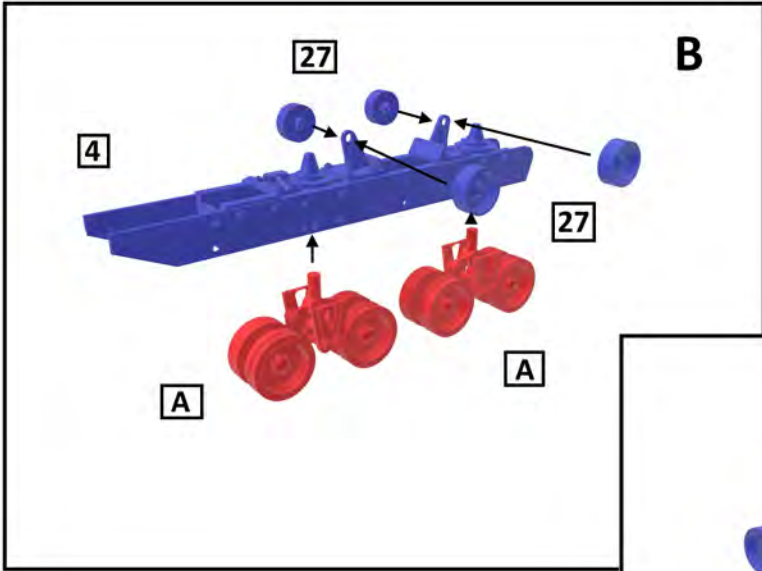
What Paint Color?

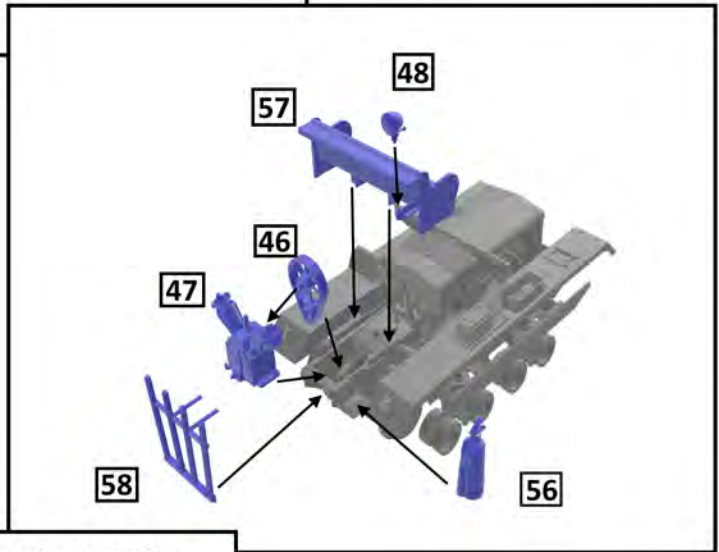
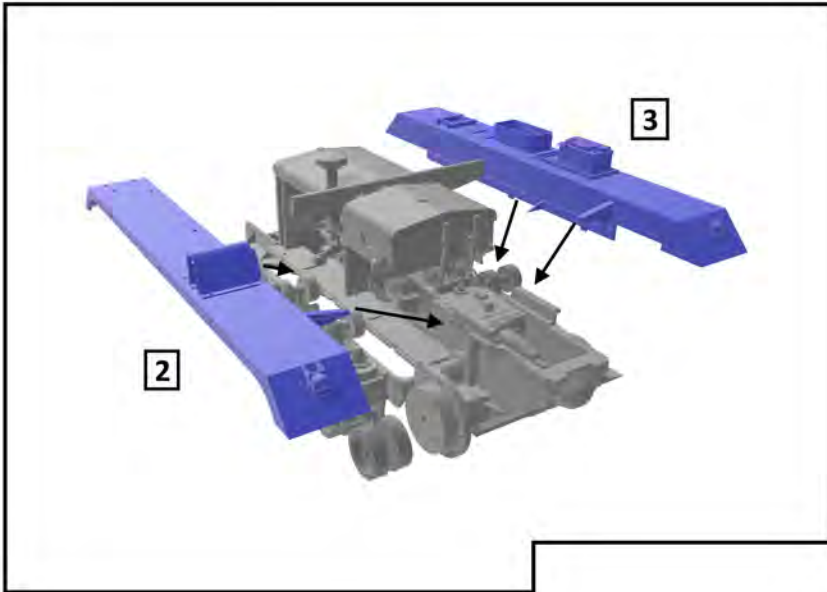
M24 Chaffee Tanks were late war machines painted with **US Army Olive Drab ANA (43-45)**. This paint is available as part number **SCM008**.



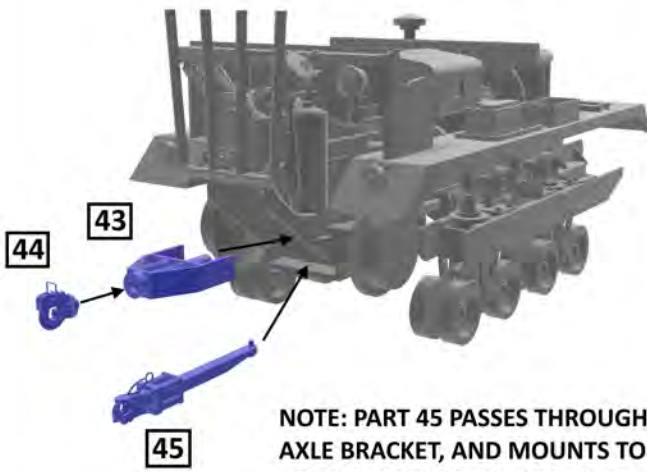




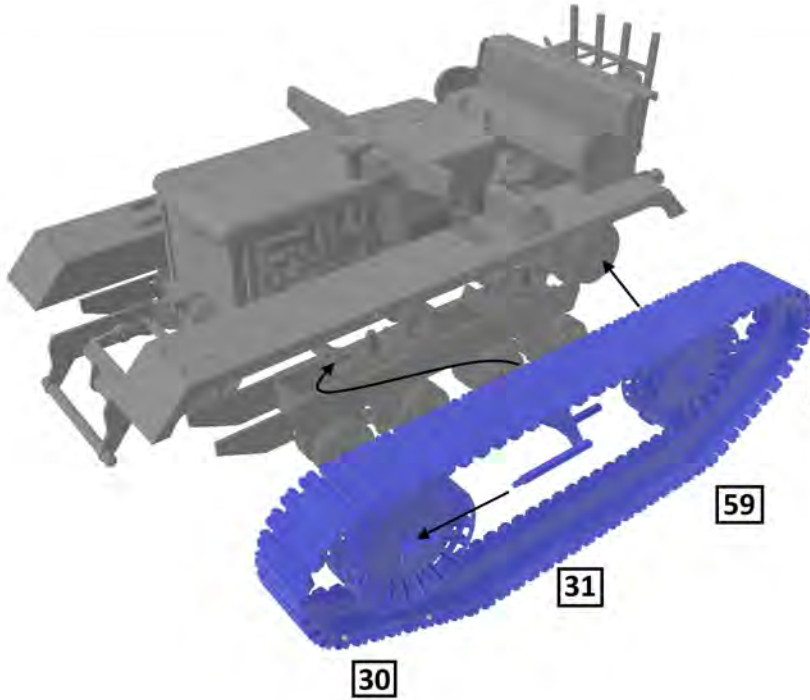




NOTE: TOP EDGE OF PART 43 ALIGNS WITH AXLE TOP



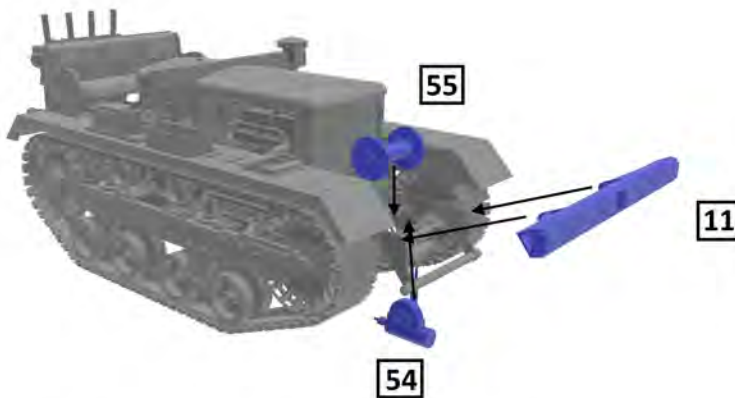
NOTE: PART 45 PASSES THROUGH AXLE BRACKET, AND MOUNTS TO HOLE IN BOGIE SUPPORT AXLE



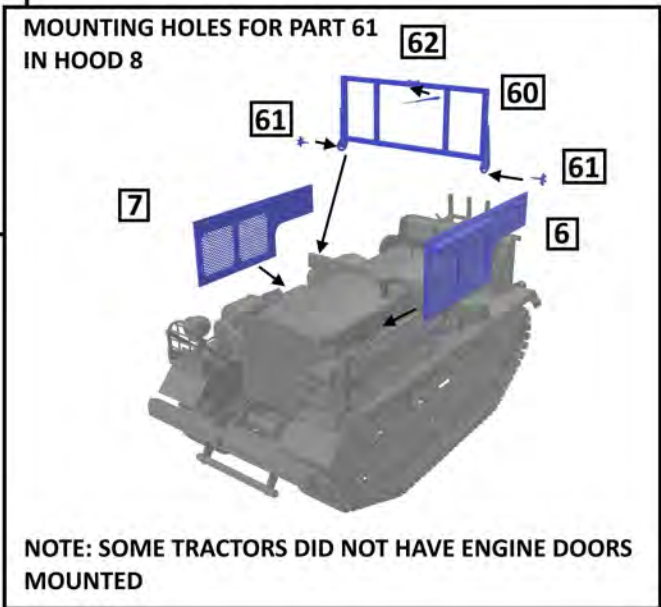
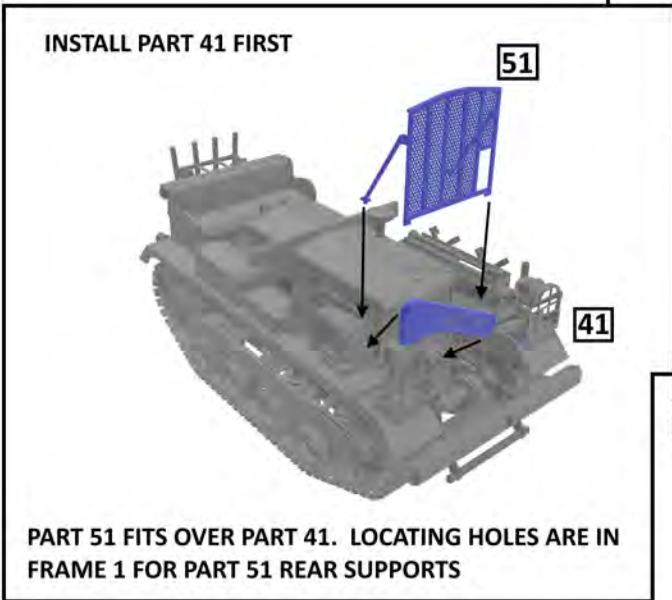
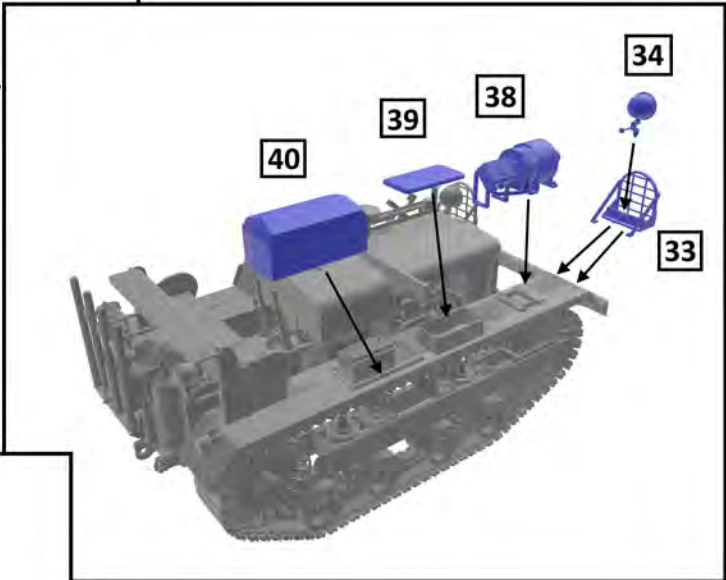
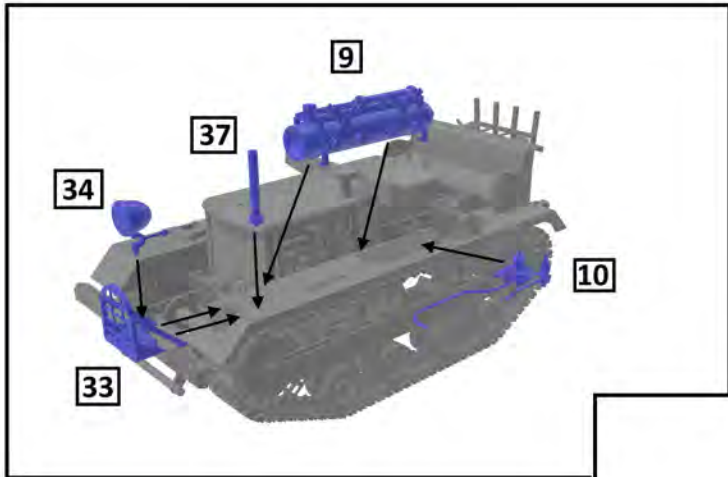
PLACE SPROCKET 29 INTO SPROCKET TEETH HOLES IN TRACK 59 FIRST. PLACE TRACK AND SPROCKET ONTO BOGIE ASSEMBLY WITH SPROCKET MOUNTED TO TRANSMISSION PART 42.

PLACE IDLER WHEEL 30 INTO GUIDES AT FRONT OF BOGIE ASSEMBLY AND SLIDE FORWARD INTO FRONT OF TRACK 59.

PLACE IDLER FORK 31 ENDS INTO BRACKETS ON IDLER WHEEL SIDES, THEN ADJUST REAR OF IDLER FORK TO FIT INTO MOUNT ON BOGIE ASSEMBLY. REPEAT FOR RIGHT TRACK MOUNTING.



NOTE: PART 54 FITS UP INTO BRACKET IN FRAME 1. PART 55 FITS BETWEEN MOUNT ON FRAME 1 AND PART 54. BUMPER PART 11 FITS DOWN ON FRAME 1 USING INTERIOR MOUNTING BRACKETS.



NOTE: REPEAT FOR RIGHT SIDE

